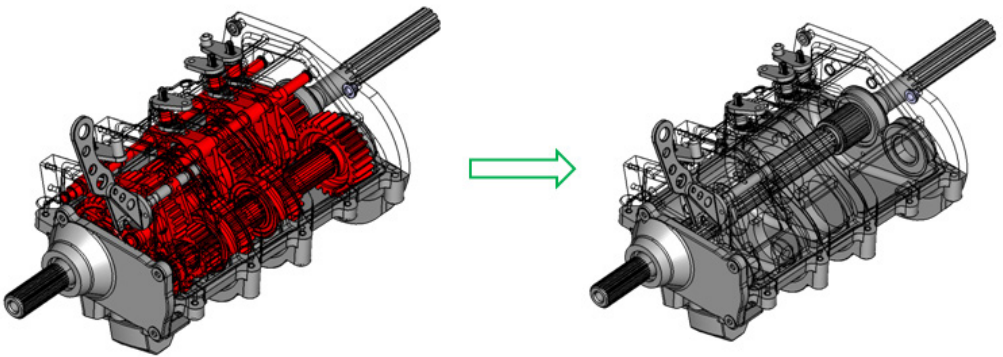
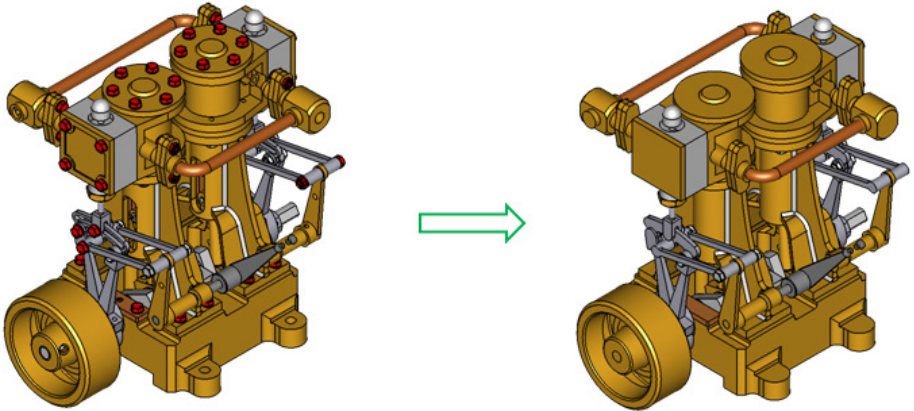


CADISON® Equipment Simplifier

A customised wizard based solution designed for the automatic simplification of large equipment models



Import | Simplify | Export (to CADISON®)

CADISON® Equipment Simplifier reduces the size and complexity of equipment models up to 90%